

EASY sit-stand desks



FEATURES

- Equipped with two motors
- Two types of lifting columns - Linak DL15 and Linak DL16
- Telescopic frame
- Two types of feet to choose from

QUALITY STANDARD

- LST EN 527-1:2011
- LST EN 527-2:2002
- LST EN 527-3:2003
- ISO 21016:2007

GUARANTEE

- 5 years

TECHNICAL INFORMATION

Desktop

- 25 mm MFC (melamine) with 2 mm ABS edging;
- With or without a cut-out for grommet and wire management;
- With or without a scallop for wire management.

Desk control button types

- BA, TA, TE - up and down drive;
- MA - up and down drive and 3 memory positions;
- LA - up and down drive, 2 memory positions, automatic drive on memory positions, LED reminder, integrated Bluetooth.



Types of feet

Type W



- Metal sheet 700x70x30 mm with welded profile for stability;
- Plastic feet with height levelling (+10 mm);
- Powder coated metal, matches the colour of frame.

Type I



- Metal tube – 796x60x30 mm;
- Plastic feet with height levelling (+10 mm);
- Powder coated metal, matches the colour of frame.

Adjustable telescopic frame

- L-shaped angle dimensions: 40x40x534 mm; 50x30x460 mm;
- Adjustment range - 600 mm;
- Steel stripe for adjustment - 35x4x910 mm;
- Powder coated metal, matches the colour of columns and feet.

Lifting columns

- Types: two (2) or three (3) level columns;
- Anticolision feature (only for 3 columns);
- Two motors;
- Soft start and soft stop;
- Lifting speed: up to 38 mm/ sec;
- Stroke length: DL15/ DL16 – 500/ 650 mm;
- Rectangular tube dimensions: DL15/ DL16 – 43,5x73,5, 37x67 mm/ 50x80 mm, 43,5x73,5, 37x67 mm;
- Lifting capacity: 120 kg;
- Powder coated metal, matches the colour of frame and feet.



DL15 (2)



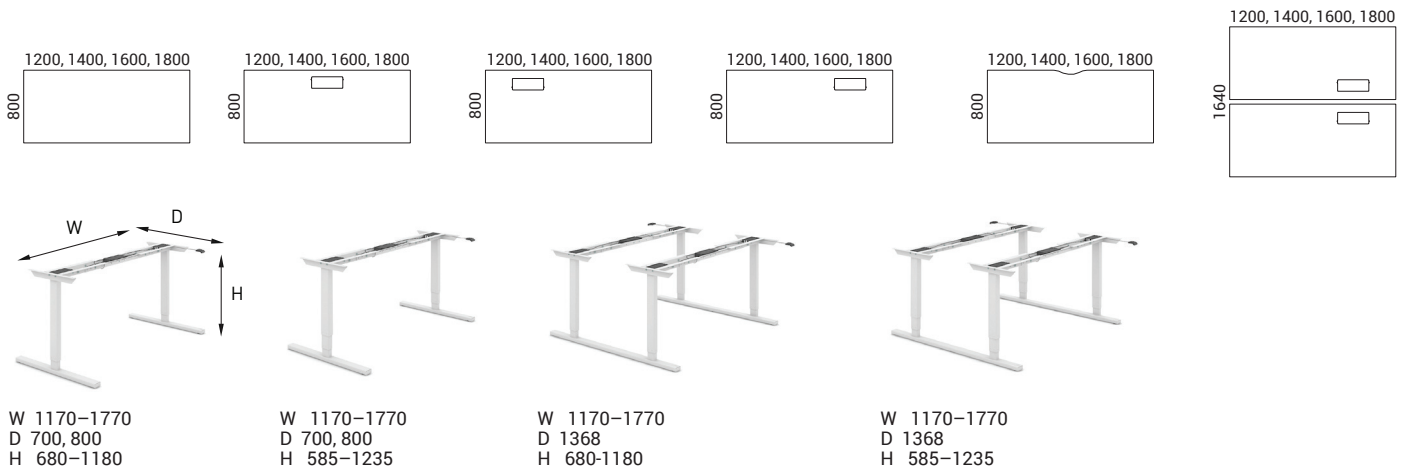
DL16 (3)

ELECTRICAL SPECIFICATION

Electronic data power unit

- Input: 230 V (or 120 V for US market);
- Frequency: 50 Hz (or 60 Hz for US market);
- Output: 12 - 40 V, 9A;
- Power Plug: EU, UK, CH, US;
- Energy consumption: standby 0,01 W;
- Operating Cycle: 1 minute on, 9 minutes off;

RANGE



Must be ordered (for desktops with cut-out)



Metal grommet:
317x119 mm, H=27 mm

Optional



Cable trays



Power socket blocks



Cable ducts



Screens



Felt-lined metal
drawer with lock



App control via Bluetooth
(iOS, Android)

ADDITIONAL INFORMATION

Anti-collision technology

- Minimizes the risk for damages on a desk caused by squeezing or blocking of obstacles in up and down direction.



Things to be aware of:

- Does not work if the collision happens during the initialization phase;
- If the collision happens within the 1st sec of use or after the button on the control unit has been released, it will not work;
- If the collision happens over too long time and with the very soft object, it will not work.