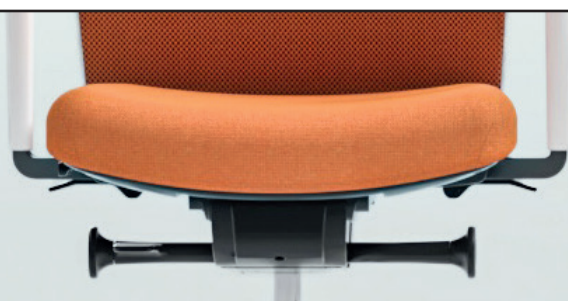


SURF task chair

Operating instructions



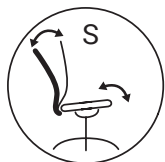
*2D (two directions) adjustable armrests
3D (three directions) adjustable armrests*



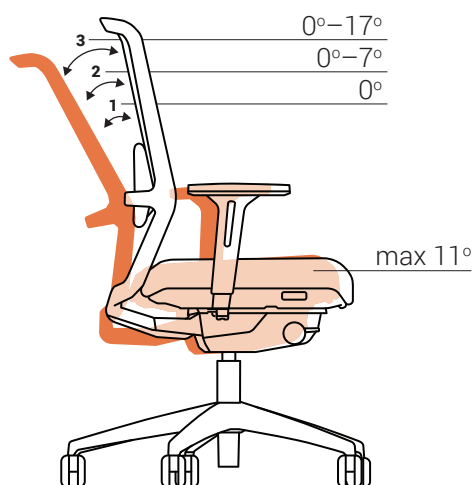
Synchro mechanism with
backrest travel limitation



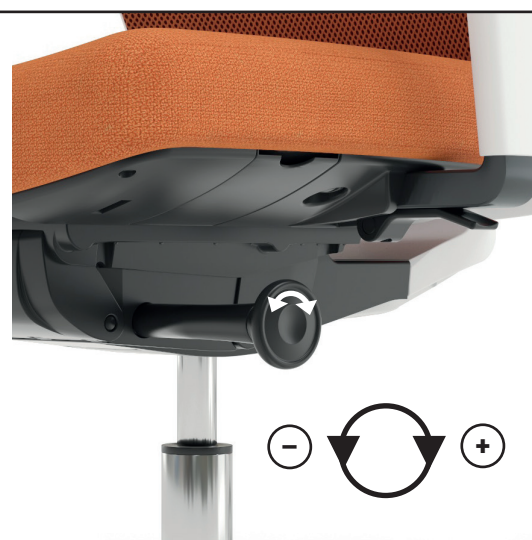
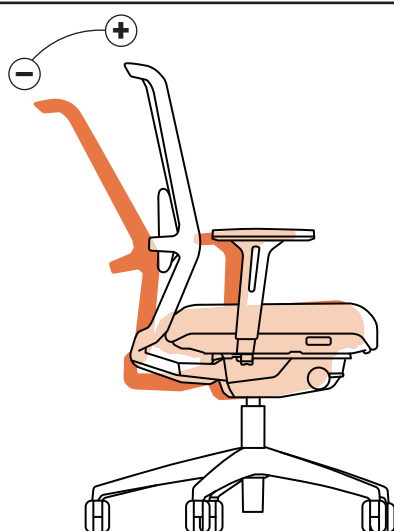
Synchro mechanism with
backrest locking



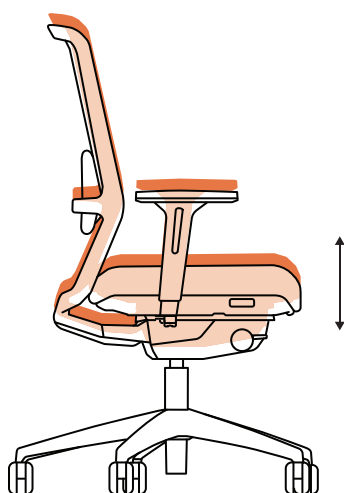
Synchro mechanism with BACKREST TRAVEL LIMITATION



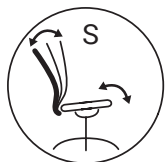
Backrest travel limited to 3 positions with back lock in the upright position



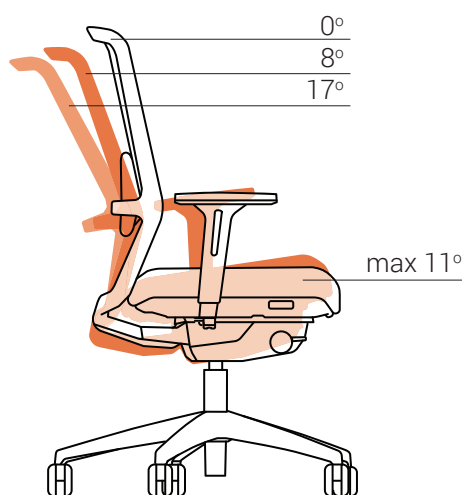
Tilt tension adjustment



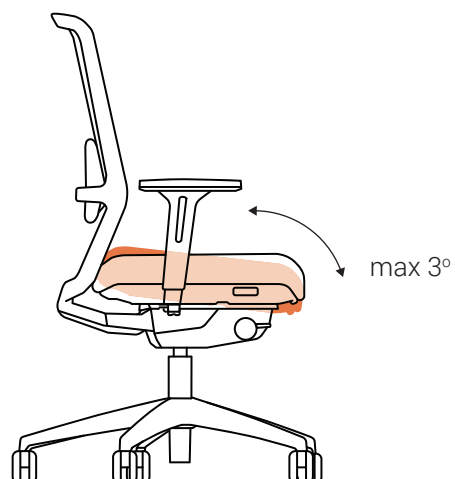
Seat height adjustment



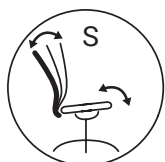
Synchro mechanism with BACKREST LOCKING



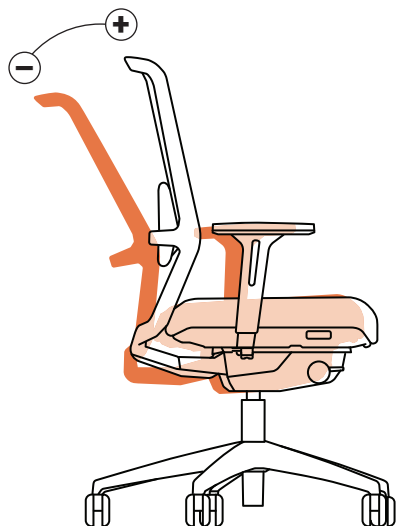
Backrest locked in 3 positions



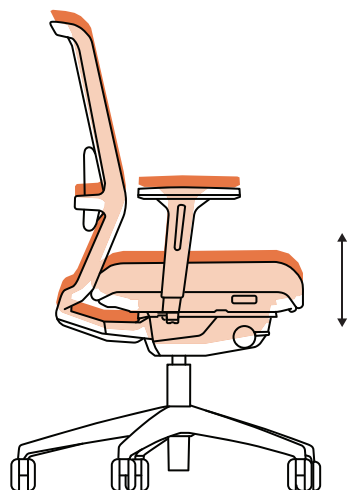
Negative seat tilt



Synchro mechanism with BACKREST LOCKING

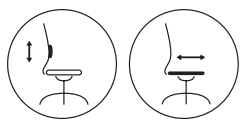


Tilt tension adjustment

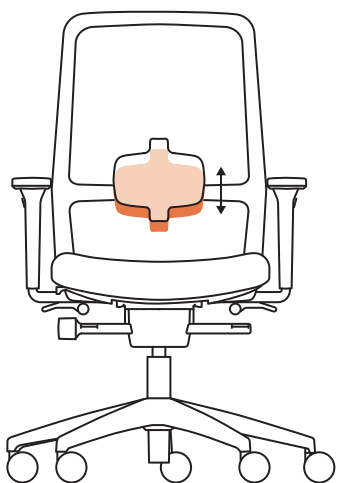


Seat height adjustment

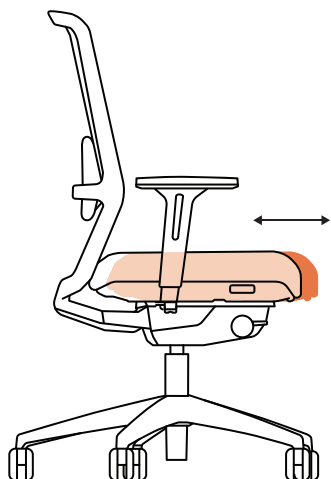




General adjustments

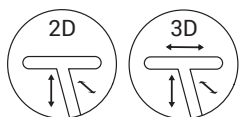


Height-adjustable lumbar support

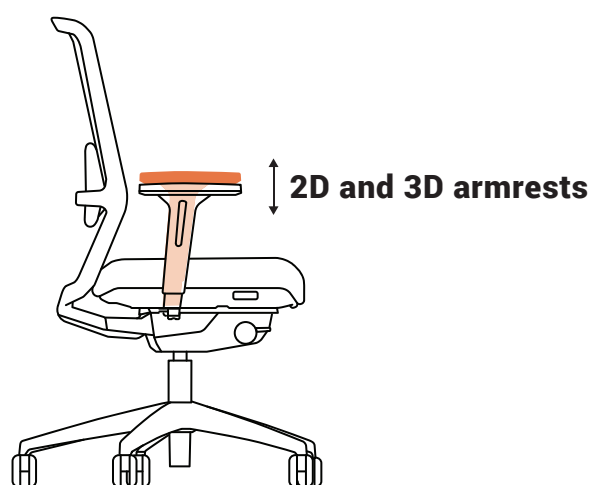


Depth-adjustable seat

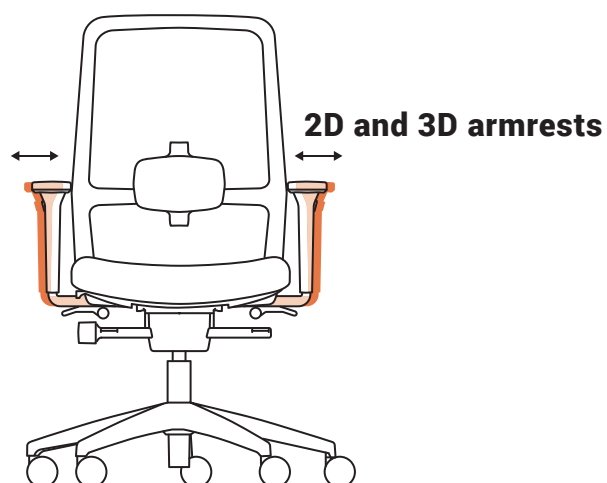




Adjustable armrests



Height adjustment at armrest carrier



Width adjustment at armrest carrier



Depth adjustment of the pad

